

### Design Data.

- Material: mild & Carbon steel
- Finish: Galvanised
- Fasteners: A4 Stainless steel
- Mod, fixings: A4 stainless steel
- Tilt angle: 15°-50° (Subject to module)
- Wind loading: 45metres per second (3 second gust) \*

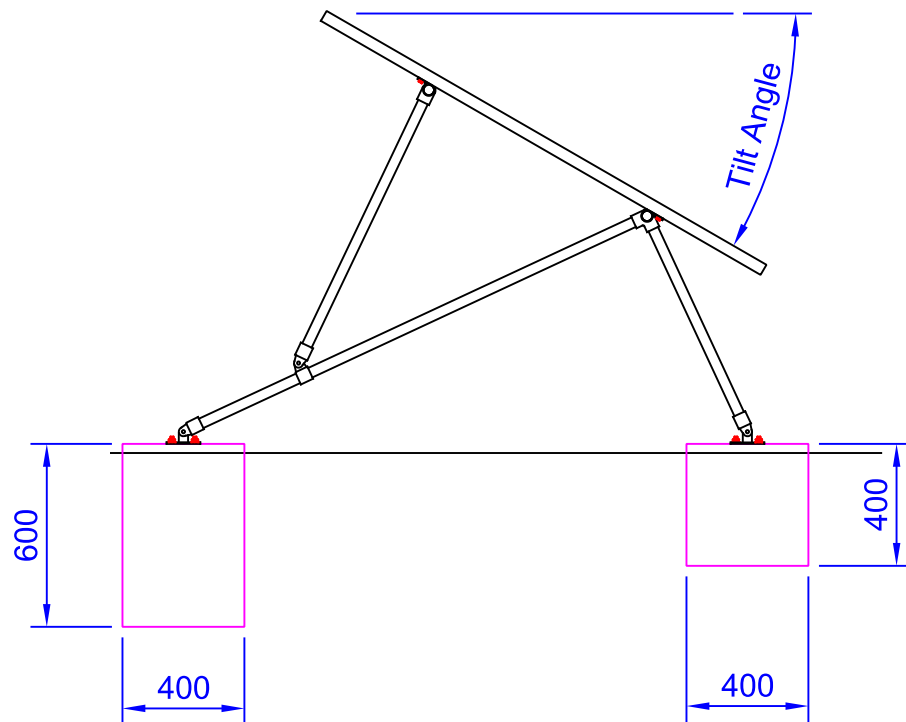
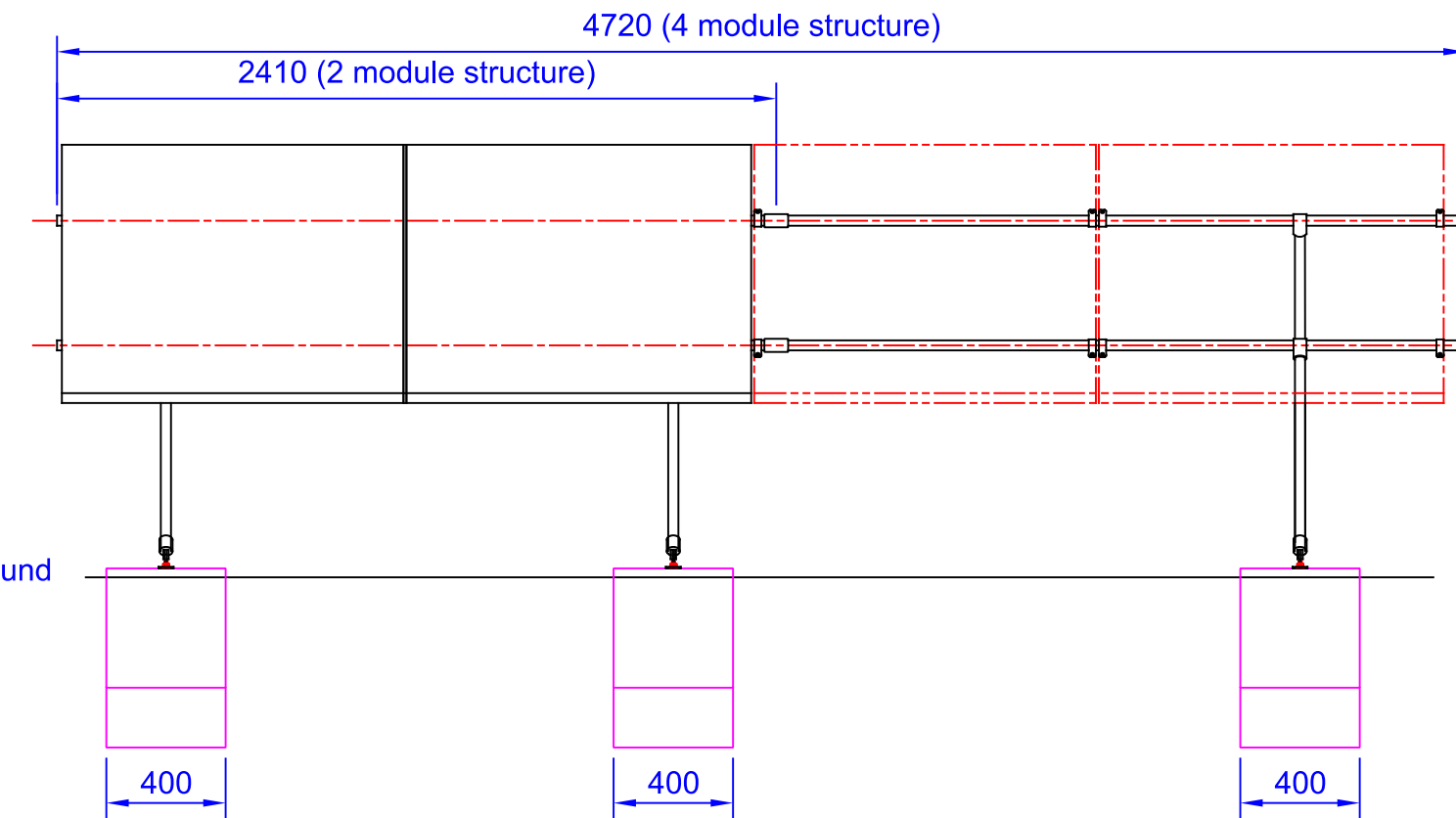
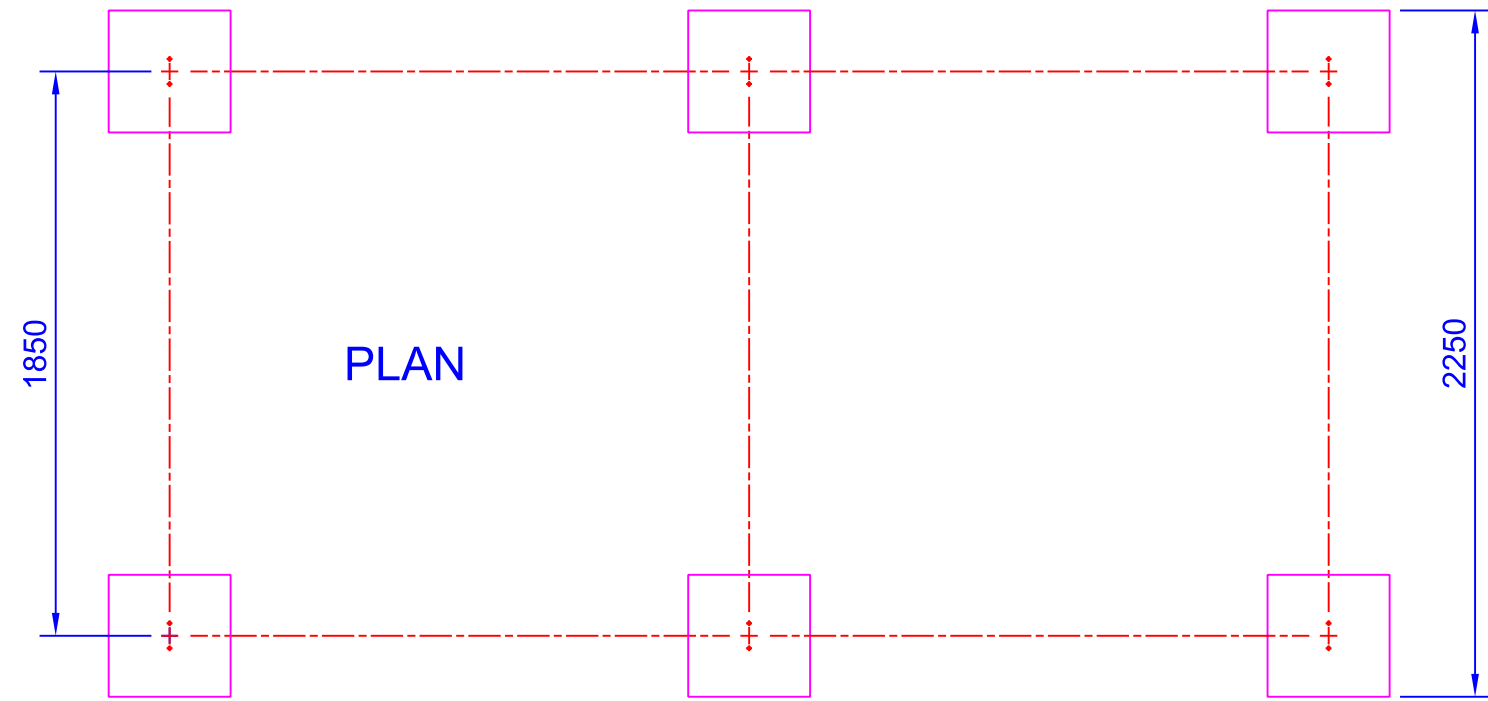
Suitable for solar panels up to a width of 1145mm  
 Supplied c/w M6 & M8 module mounting fasteners.

Modular design allows for up to 8 modules per structure, using the 2 module extensions. The maximum number of modules per structure will depend upon the suitability of the ground level.

Ground poles to be installed using a suitable post hammer.

Non foundation version also available.

see 2 module to 8 module layout drawing for typical leg spacing when using 1145mm wide panels.



**SIDE ELEVATION**

**FRONT ELEVATION**

\* Wind loading Eurocode: Basis of structural design - BS EN 1990  
 Eurocode1: Action on structures - BS EN 1991 part 1-4: General actions - wind actions - BS EN 1991-1 1-4  
 Eurocode 3: Design of steel structures - BS EN 1993 part1-1: General rules and rules for buildings - BS EN 1993-1-1  
 BRE digest 489: Wind loads on roof-mounted PV and solar thermal systems.  
 Design wind speed (3 second gust) based on a module size of 2m<sup>2</sup> (1750mm x 1145mm)

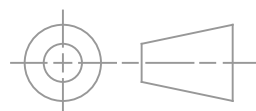
Tolerances.  
 NO D.Point ±1mm  
 1 D.Point ±0.5mm  
 2 D.Points ±0.2mm



Unit 8 Alexander House, Thame Road  
 Haddenham, Bucks. HP17 8BY England  
 Telephone. +44 (1844) 290780  
 Facimile. +44 (1844) 292352

2	T brooks	10.01.2023	leg spacing
1	T Brooks	30.08.2022	Production Issue
ISSUE	DRAWN BY	DATE	CHANGE
Tm Type low level Modular Ground Mount Structure Kit FOUNDATION VERSION			Product Type Tm Type No. 001 068

DO NOT SCALE



© 2022

This drawing is copyright and the property of BDS, it must not be copied in whole or in part, used for manufacture or otherwise disclosed without prior consent of BDS.