

※ Thanks for selecting the AES adapter. Please read the manual carefully before operating.

※ Please keep this manual for future reference.

AES Adapter

AES-ADP

1. Overview

The AES-ADP adapter converts the 5V-AES signal of the solar controller into a 12V-AES signal for the refrigerator. An AES-ADP adapter is necessary when DR1206/2206/3206/2210/3210N-DDB/DDS connects the refrigerator.

Features:

- Easy and convenient connection
- Support short-circuit output
- Circuit protects when BATT1 polarity reversed connects
- Circuit protects when AES signal reversed connects

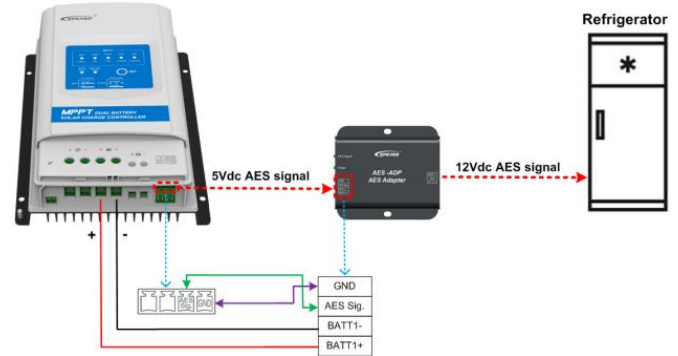
2. Appearance



No.	Interface	Instructions
①	Input terminal	Connect to the controller's AES Sig. terminal and the BATT1 output terminal
②	Output terminal	Connect to the refrigerator's AES signal terminal
③	Power indicator	Indicate BATT1 power ON
④	AES signal indicator	Light on with an AES signal Light off without an ASE signal

3. System Connection

For DR1206/2206/3206/2210/3210N-DDB/DDS, the AES signal port and RS485 port share the power of 5VDC/Max. 200mA. Connect the AES-ADP adapter when connecting the refrigerator.



Working principle:

- The AES signal is turned on after the BATT1 voltage reaches the Boost Charging Voltage or Equalize Charging Voltage for 5 minutes.
- The controller checks if the BATT1 charges in the boost, equalize, or float stage every 5 minutes. Five minutes is the default delay time for turning off the AES signal, setting via PC software (ranging from 0 to 999 minutes). The AES signal is turned off if the BATT1 is not in the charging stage after five times checking.

<p>CAUTION</p>	<p>The AES signal port and RS485 port share the power of 5VDC/Max. 200mA. The MT11 power consumption is 13mA when it works and 4mA when on standby.</p>
-----------------------	---

4. Specifications

Model		AES-ADP
Parameters		
Applicable controllers	solar	DR1206/2206/3206/2210/3210N-DDB/DDS
Input Voltage		8.5V ~ 35V
Output Voltage		12V/200mA
Self-consumption		1mA@12V; 1.5mA@24V
Environment temperature		-30°C ~ +60°C

Any changes without prior notice!

Version number: 1.0