

MULTIBLOC® 00.ST9

Size 00, 160A, 690VAC, Design for Bottom Fitting, Triple Pole

IEC FUSE SWITCH DISCONNECTORS

NH FUSE SWITCH DISCONNECTOR



The production programme of MULTIBLOC® series 00.ST9 comprises NH fuse switch disconnectors for 160A.

They are designed for bottom fitting/panel installation and are available in triple pole units.

For installation of MULTIBLOC® NH fuse switch disconnectors in distribution units with central cover, respective covers are used to obtain a uniform profile in height and length.

MULTIBLOC® size 00 are designed for NH fuse-links in accordance with IEC/EN 60269-2, VDE 0636-2, size 00, 160A.

MULTIBLOC® offers the user the possibility of fast and easy installation as well as a high degree of security during installation and maintenance.

TECHNICAL DATA OVERVIEW

Voltage AC	690 VAC
Voltage DC	440 VDC
Amper (A)	160 A
Size per Standard	00
SCCR	Ue = AC 400 V; Ie = 160 A 80kA Ue = AC 500 V; Ie = 160 A 80kA Ue = AC 690 V; Ie = 125 A 80kA
Mounting	bottom fitting/panel
Switchability	triple pole switching

FEATURES & BENEFITS

- Touch protection IP 30
- Sealing and padlocking device integrated in switch door cover
- Installation depth 81 mm
- Voltage test through holes in slidable windows directly at contacts or tags of NH-fuse links
- Parking position of switch operating cover even with fuse-links inserted
- Modular system of cover - cover for cable termination area can be extended as required
- Varieties of cable termination: screw, clamp strap, Al-Cu clamp, frame clamp, extendable for V-terminal - optional
- Electronic or electro-mechanic fuse monitoring - optional
- Indicating switch for switch door position - optional
- Installation on to DIN rails in accordance with EN 60 715 - optional
- Safe on load connection/disconnection in accordance with IEC 60947-3

APPLICATIONS

- House incoming units
- Meter distribution units
- Measuring transformer cabinets
- Transmitting stations for telecommunications

STANDARDS

- IEC/EN 60 947-3
For NH-fuse links size 000/00 in accordance with IEC/EN 60 269-2, VDE 0636-2



MULTIBLOC® 00.ST9

Size 00, 160A, 690VAC, Design for Bottom Fitting, Triple Pole

PRODUCT RANGE



2.030.000



2.030.100



2.030.200

MULTIBLOC® 00.ST9 size 00 160A, 690VAC bottom fitting, triple pole

Catalog number	Item number	Poles	Cable termination components	Design	Package	Weight
2.030.000	P1023007	3	6 M8 terminal screws	-	1 piece	0.75 kg
2.030.100	V1023012	3	6 M8 terminal screws	with electronic fuse monitoring ESÜ installed (rated voltage = 525VAC)	1 piece	0.86 kg
2.030.200	C1023042	3	6 M8 terminal screws	with electro-mechanic fuse monitoring MZS installed (galvanic isolation)	1 piece	1.39 kg
2.030.300	D1023043	3	6 M8 terminal screws	fixed window to protect against unauthorized connection	1 piece	0.75 kg
2.031.000	E1023044	3	6 clamp straps Cu 4-70mm ²	-	1 piece	0.75 kg
2.031.300	F1023045	3	6 clamp straps Cu 4-70mm ²	fixed window to protect against unauthorized connection	1 piece	0.75 kg
2.032.000	G1023046	3	6 Al/Cu clamps 1,5-70 mm ² round stranded, 95 mm ² sectoral solid	-	1 piece	0.85 kg
2.033.000	H1023047	3	6 frame clamps Cu 2,5-70 mm ² factory assembled	-	1 piece	0.7 kg
2.034.000	J1023048	3	3 M8 terminal screws, 3 clamp straps Cu 4-70mm ²	-	1 piece	0.75 kg
2.035.000	K1023049	3	3 M8 terminal screws 3 Al/Cu clamps 1,5-70 mm ² round stranded, 95 mm ² sectoral solid	-	1 piece	0.75 kg

MULTIBLOC® 00.ST9

Size 00, 160A, 690VAC, Design for Bottom Fitting, Triple Pole

TECHNICAL DATA IN ACCORDANCE WITH EN / IEC 60947

		00.ST9 triple pole
Number of poles/phases		3
Size		00
Conventional free air thermal current with NH-fuse links I_{th}		160 A
Max. power dissipation of fuse links P_n		12 W
Conventional free air thermal current with solid links I_{th}		200 A
Max. power dissipation of solid links P_n		1,2 W
Utilization category to IEC/EN 60947-3 $U_e = AC 400 V; I_e = 160 A$ $U_e = AC 500 V; I_e = 160 A$ $U_e = AC 690 V; I_e = 160 A$ $U_e = DC 220 V; I_e = 160 A$ $U_e = DC 440 V; I_e = 100 A$		AC 23 B AC 22 B AC 21 B DC 22 B DC 21 B
Rated operational voltage U_e		690 V
Rated insulation voltage U_i		1000 V
Rated impulse withstand voltage U_{imp}		8 kV
Rated frequency		50 ... 60 Hz
Degree of protection		IP 30
Degree of pollution		3
Rated duty		uninterrupted duty
Rated conditional short-circuit current with fuse links $U_e = AC 400 V; I_e = 160 A$ $U_e = AC 500 V; I_e = 160 A$ $U_e = AC 690 V; I_e = 125 A$		80 kA 80 kA 80 kA
Rated short circuit making capacity with solid links I_{cm}		6.2 kAsw
Rated short-time withstand current I_{cw}		4 kA / 1 s
Power dissipation by I_{th} without NH-fuse links		11 W
Power dissipation by I_{th} 200A without solid links		17 W
Installation mode		bottom fitting
Cable terminal connection		
Standard cable terminal		M8
for cable lugs Cu max.		2 x 70 mm ²
for cable lugs Al max.		2 x 70 mm ²
for copper bars with max. dimensions		20 x 5 mm

MERSEN reserves the right to change, update or correct, without notice, any information contained in this datasheet.

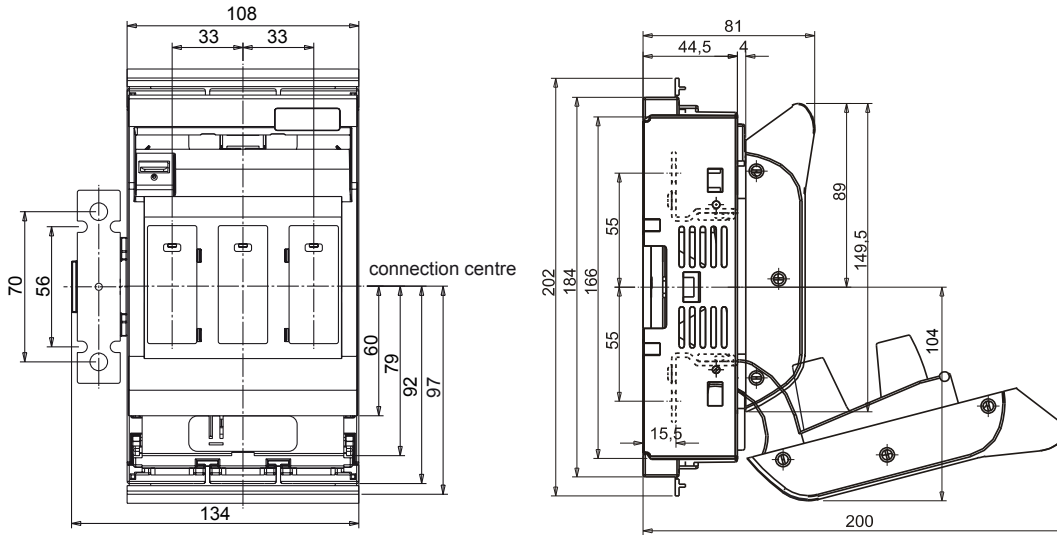
MULTIBLOC® 00.ST9

Size 00, 160A, 690VAC, Design for Bottom Fitting, Triple Pole

DIMENSIONS

MULTIBLOC® 00.ST9 NH-fuse switch disconnecter
triple pole design for bottom fitting

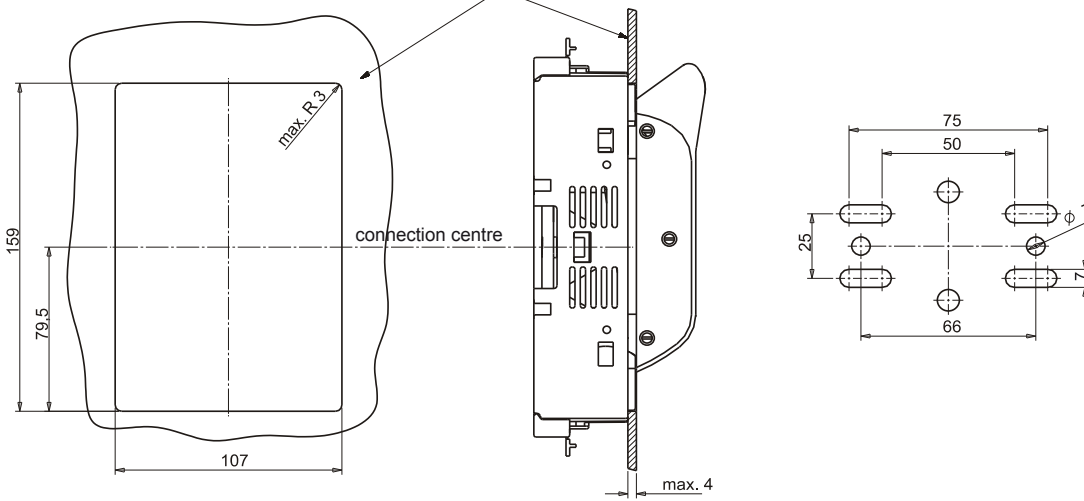
(M 01169)



dimensions of switch board cut out
for bottom fixing without cover shield

switch board

dimensions for bottom fitting



Dimensions in mm

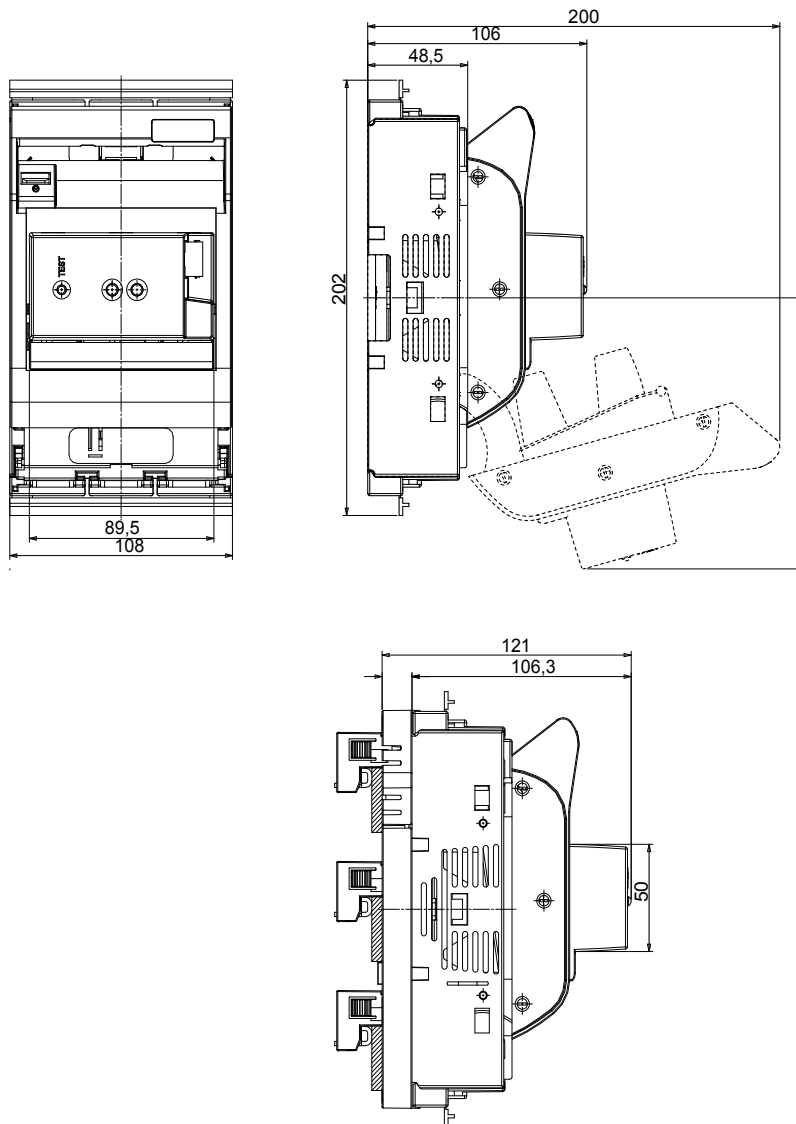
MULTIBLOC® 00.ST9

Size 00, 160A, 690VAC, Design for Bottom Fitting, Triple Pole

DIMENSIONS

**MULTIBLOC® 00.ST9 and 00.RST9 triple pole
with electronic fuse monitoring ESÜ**

(M 01172)



Dimensions in mm

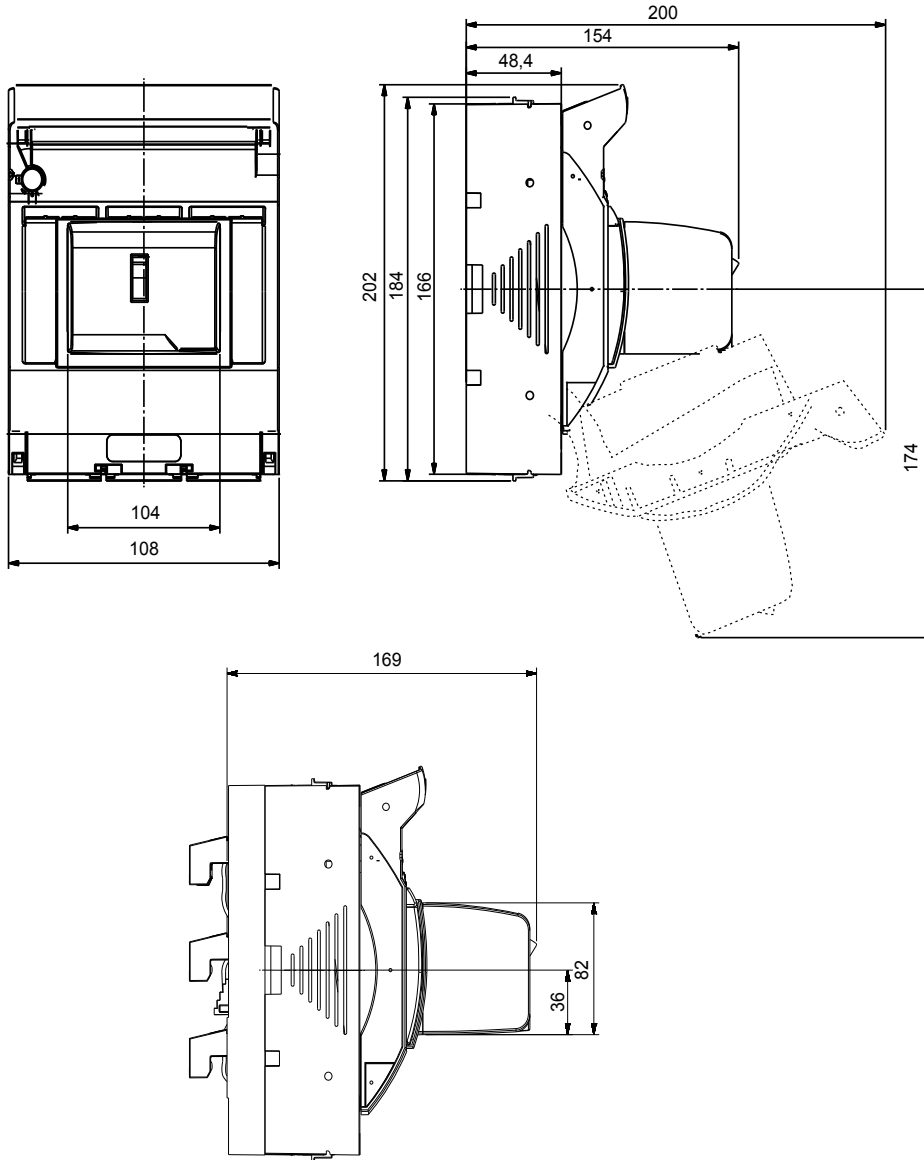
MULTIBLOC® 00.ST9

Size 00, 160A, 690VAC, Design for Bottom Fitting, Triple Pole

DIMENSIONS

MULTIBLOC® 00.ST9 and 00.RST9

triple pole with electro-mechanic fuse monitoring MZS (M 01135c-00)



Dimensions in mm

MULTIBLOC® 00.ST9

Size 00, 160A, 690VAC, Design for Bottom Fitting, Triple Pole

DIMENSIONS

Cable termination size 00 (MA 120c)

type	N	S	A	R
terminal	screw	clamp strap	Al/Cu clamp	frame clamp
cross section mm ²	Cu 16-70 Al 16-95	Cu 4-70 Al ---	Cu 1,5-70 Al 1,5-70 sectoral stranded Al 1,5-95 sectoral solid	Cu 2,5-70 Al ---
M(an) (Nm)	10	3-4	3-4	6

Dimensions in mm

MERSEN reserves the right to change, update or correct, without notice, any information contained in this datasheet.

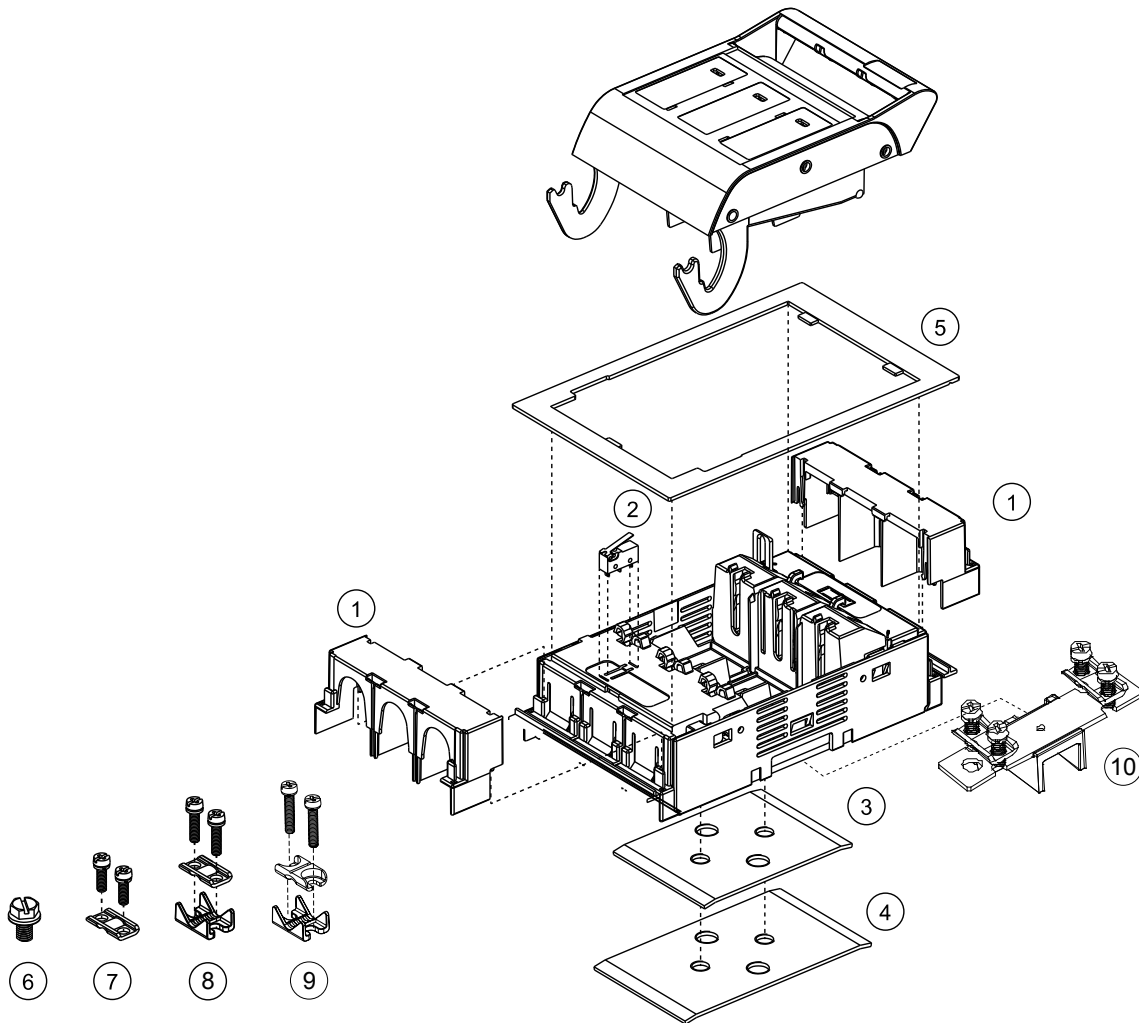
MULTIBLOC® 00.ST9

Size 00, 160A, 690VAC, Design for Bottom Fitting, Triple Pole

EXPLODED SKETCH

MULTIBLOC® 00.ST9 NH-fuse switch disconnecter
triple pole design for bottom fitting

(E 1.002.784)

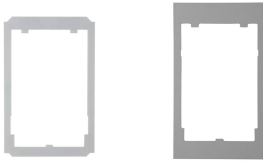


no.	articlenumber	short Description
1	1.000.148	Cover for cable termination, triple pole
2	1.000.852	indicator for switch door position
3	1.000.153	Set for mounting on DIN rails 125mm
4	1.000.154	Set for mounting on DIN rails 150mm
5	1.000.126	Cover shield for one switch
6	00SZS	M8 terminal screw screw, 1 Set = 3 pieces
7	00SZESK	Clamp strap 4 - 70mm ² , set = 3 pieces
8	00SZA70	Al/Cu clamp 1-5 - 70mm ² , set = 3 pieces
9	1.003.571	Al/Cu clamp 50 - 95 mm ² , set = 3 pieces
10	00SZNS	Neutral cond. support with clamp strap

MULTIBLOC® 00.ST9

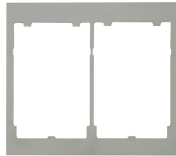
Size 00, 160A, 690VAC, Design for Bottom Fitting, Triple Pole

ACCESSORIES

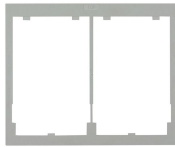


1.000.126

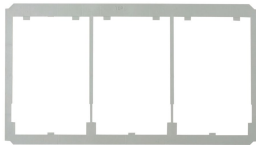
1.003.431



1.002.874



1.000.127



1.000.128

Cover shields

Catalog number	Item number	Design	Package	Weight
1.000.126	Y229285	cover shield for installation in distribution units size (width x height): 123 x 190 mm for one 00.ST9/00.RST9	1 piece	22 g
1.003.431	N1022960	cover shield for installation in distribution units size (width x height): 123 x 210 mm for one 00.ST9/00.RST9	1 piece	30 g
1.002.874	S1022964	cover shield for installation in distribution units size (width x height): 231 x 210 mm for two 00.ST9/00.RST9	1 piece	57 g
1.000.127	Z229286	cover shield for installation in distribution units size (width x height): 231 x 190 mm for two 00.ST9/00.RST9	1 piece	46 g
1.000.128	A229287	cover shield for installation in distribution units size (width x height): 339 x 190 mm for three 00.ST9/00.RST9	1 piece	30 g
1.002.870	R1022963	cover shield for installation in distribution units size (width x height) 231 x 210 mm for one 00.ST9/00.RST9 + lateral spare way cover right side	1 piece	95 g

Cover/shrouds for cable termination

Catalog number	Item number	Design	Package	Weight
1.000.148	W229283	cover for cable terminal connection for 00.ST9 triple pole, 1 set = 2 pieces	1 set	43 g



1.000.153



1.000.154

Installation devices

Catalog number	Item number	Design	Package	Weight
1.000.153	C229887	adapter for installation between DIN-rails in accordance with EN 60715, DIN-rail distance 125mm for 00.ST9 triple pole	1 piece	0.24 kg
1.000.154	D229888	adapter for installation between DIN-rails in accordance with EN 60715, DIN-rail distance 150mm for 00.ST9 triple pole	1 piece	0.29 kg

Indication facilities

Catalog number	Item number	Design	Package	Weight
1.000.852	Q1002285	indicator for switch door position micro switch, 1 change-over contact 5 A, 250 V	1 piece	90 g



1.000.852

MULTIBLOC® 00.ST9

Size 00, 160A, 690VAC, Design for Bottom Fitting, Triple Pole

ACCESSORIES



00SZS



00SZESK



1.003.433



00SZSV6



00SZNS

Varieties of cable termination

Catalog number	Item number	Design	Package	Weight
00SZS	M229298	M8 terminal screw for switch gear size 00 1 set = 3 pieces	1 set	35 g
00SZESK	E214594	clamp strap Cu 4–70 mm ² for switch gear size 00 1 set = 3 pieces	1 set	35 g
00SZA70	R211523	Al/Cu clamp 1,5–70 mm ² for switch gear size 00 1 set = 3 pieces	1 set	75 g
1.003.571	V1033684	Al/Cu clamp 50 -95 mm ² round stranded for switch gear size 00 1 set = 3 pieces	1 set	88 g
1.003.433	L1022958	triple clamp per pole 1.5 up to 16 mm ² 1 set = 3 pieces	1 set	0.14 kg
00SZSV6	K1022957	V-shaped lug size 00, M8, for V-terminal clamp size 00 for switch gear size 00 with screw terminal supplementary set for V-terminal with V-terminal clamps 1 set = 3 pieces	1 set	0.13 kg

Neutral conductor

Catalog number	Item number	Design	Package	Weight
00SZNS	A1023086	neutral conductor support for lateral installation either left or right side of MULTIBLOC® size 00 cable termination clamp strap Cu 4-70 mm ² round stranded/round solid	1 piece	83 g

MERSEN reserves the right to change, update or correct, without notice, any information contained in this datasheet.