

DATASHEET

EcoFlow PowerOcean DC Fit

Retrofit Battery Storage Solution

An easy and unique PV-coupled retrofit battery storage solution for houses with a solar system. By seamlessly integrating up to 15kWh of battery storage into your home solar system, the EcoFlow PowerOcean DC Fit empowers users to achieve energy self-sufficiency easily and cost-effectively.



No additional storage inverter is needed

Seamlessly adding battery storage to your existing solar system without installing an additional storage inverter.

No need to change the AC wiring

Significantly reducing installation time.

No need to replace the existing solar inverter

Investing less to store more solar power.

No on-grid permit required

Saving weeks of waiting time for on-grid permit applications*.

*Notifying the power provider of this change is advised. Regulations may vary region to region.

For installers

EcoFlow Pro App

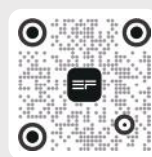


EcoFlow Pro Web Portal

<https://portal.ecoflow.com/pro/eu>

For users

EcoFlow App


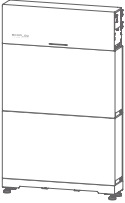
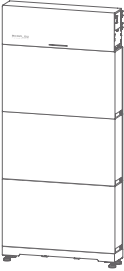


EcoFlow Web Portal

<https://portal.ecoflow.com/user/eu>

Technical Parameters

EcoFlow PowerOcean DC Fit

Module			
	EF PD-5-S1 × 1 EF BD-5.1-S1 × 1 EF BD-B-S1 × 1	EF PD-5-S1 × 1 EF BD-5.1-S1 × 2 EF BD-B-S1 × 1	EF PD-5-S1 × 1 EF BD-5.1-S1 × 3 EF BD-B-S1 × 1
Battery Module Capacity	5.1kWh	10.2kWh	15.3kWh
Max. Output Power	3.3kW	6.6kW	9.9kW
Max. Input Power	2.5kW	5kW	7.5kW
Dimensions (W×D×H) <small>*Without Adjustable Feet</small>	680×201×682 mm	680×201×1078 mm	680×201×1475 mm
Weight <small>*Without Adjustable Feet</small>	77.3 kg	132.8 kg	188.3 kg

EcoFlow PowerOcean PV Storage Converter

Model	EF PD-5-S1
DC Input (PV)	
Max. Input Charging Power	5kW (2.5kW per string)
Max. Input Voltage (Absolute Maximum)	1000V d.c.
Operating Voltage Range	150-800V d.c.
Max. Input Current	20A per string
Isc PV (Absolute Maximum)	21A per string
DC Output (Inverter side)	
Supported Solar Inverter Type	Single phase / Three phase
Bypass Power	15kW per string
Max. Output Voltage	1000V d.c.
Operating Output Voltage Range	150-800V d.c.
Max. Output Current	20A per string
Battery Port	
Battery Discharging Voltage Range	800-900V d.c.

Max. Discharging Current	6.5A d.c.
Max. Discharging Power	5.2kW*
Battery Charging Voltage Range	800-900V d.c.
Max. Charging Current	6A d.c.
Max. Charging Power	4.8kW*

* The value of maximum discharging power and maximum charging power are measured with 3 battery packs installed.

Protection

Direct Current Insulation Resistance Testing	✓
PV Input Reverse Polarity Protection	✓
Direct Current Switch	✓
Overcurrent Protection	✓
Overvoltage/Undervoltage Protection	✓
Low/High Temperature Protection	✓

General

Protective Class	I
Overvoltage Category (OVC)	II (PV)
Installation	Floor Stand
Operating Temperature	-20°C to 50°C (-4°F to 122°F)
Operating Relative Humidity	4%-100% (Condensing)
Operating Altitude	≤3000 m
IP Rating	IP65
Noise Level	≤35 dB
Communication Method	Ethernet, Wi-Fi, Bluetooth, RS485
Cooling Method	Natural convection
Pollution Degree	2

Compliance

Certificates	CE, CB, TUV Mark
Safety Standard	IEC/EN62109-1
EMC	ETSI EN 300 328 V2.2.2 EN IEC 62311:2020 ETSI EN 301 489-1 V2.2.3 ETSI EN 301 489-17 V3.2.4 EN IEC 61000-6-1 EN IEC 61000-6-3

EcoFlow PowerOcean LFP Battery Pack

Model	Battery pack: EF BD-5.1-S1 Battery base: EF BD-B-S1
-------	--

Performance

Nominal Voltage	800V d.c.
Operating Voltage Range	720-960V d.c.
Cell Type	LFP

General

Installation	Floor Stand
Operating Temperature	-20°C to 50°C (-4°F to 122°F)
Operating Altitude	≤3000 m
Cooling Method	Natural Convection
Noise Level	≤35 dB
Relative Humidity	0%-100% (Condensing)
Protection Level	IP65
Protective Class	I

Compliance

Certificates	CE Mark
Safety Standard	EN62619:2022, EN62040-1:2019, EN62477-1:2012, ISO13849-1:2015, VDE-AR-E-2510-50:2017-05
Delivery Standard	UN38.3
EMC	EN 61000-6-1, EN 61000-6-3