



Advanced Battery Technology GB 06 300



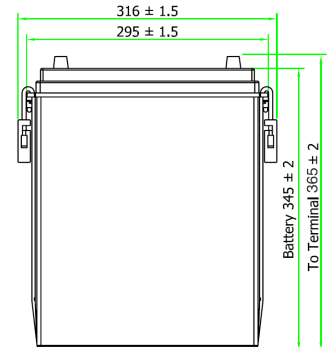
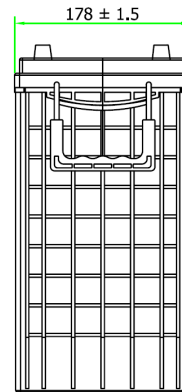
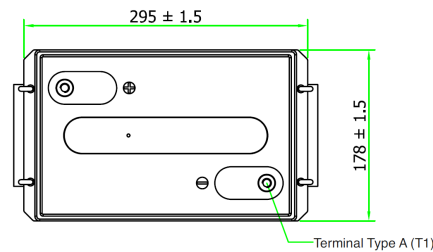
SPECIFICATIONS

Battery Type		Capacity		Length	Width	Height	Terminal	
Type	V	Ah	Ah C ₅	Ah C ₂₀	(mm)	(mm)	(mm)	
GB	06	300	255	300	295	178	365	A (T1)

Charge Retention (shelf life) at 20°C (68°F)

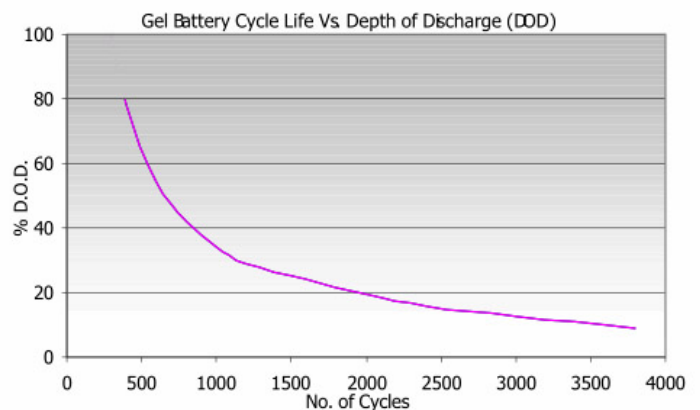
1 month	97%
3 months	91%
6 months	85%

DIMENSIONS



Features & Benefits

- **Sealed battery system with recombination** - Absolutely maintenance free Clean & environmentally friendly No release of acid vapours - Extremely low gassing Safe application in closed compartments.
- **Lead/Calcium alloy on positive & negative plates**
Constant cold cranking performance over the entire service life. Minimal self discharge - ideal for seasonal applications.
- **Thick plates with mechanically reinforced positive mass** - Extremely high cycling capability
Long service life with frequent charge and discharge.
- **Acid fixed in GEL – 100% leak proof**
Deep discharge capabilities
No stratification - Suitable for solar applications
- **Robust construction** - High vibration resistance



Recommended maximum discharge is 80% DOD (1.93 VPC)