



Ningbo Ginlong Technologies Co.,Ltd.

## CERTIFICATION OF CONFORMITY

**Manufacturer:** Ningbo Ginlong Technologies Co., Ltd.

No.57 jintong Road,Seafront(Binhai)Industrial park,Xiangshan  
Demonstration Industrial  
Estate,Xiangshan,Ningbo,Zhejinag,315712,P.R.China

**Product:** Automatic disconnection device between a generator and the public low-voltage grid

**Model:** Solis-mini-700-4G, Solis-mini-1000-4G, Solis-mini-1500-4G Solis-mini-2000-4G, Solis-mini-2500-4G, Solis-mini-3000-4G, Solis-mini-3600-4G

**Use in accordance with regulations:**

Technical Guidance for Customer Export Limiting Schemes G100 for photovoltaic systems with a single-phase parallel coupling via an inverter in the public mains supply.

**Applied rules and standards :**

The result according to G100.

The safety concept of an aforementioned representative product corresponds at the time of issue of this certificate of valid safety specifications for the specified use in accordance with regulations.

**Certificate Number:** GLDQ171202

**Date:** 2017-12-09

**Manufacture Stamp**

宁波锦浪新能源科技有限公司  
NINGBO GINLONG TECHNOLOGIES CO., LTD.

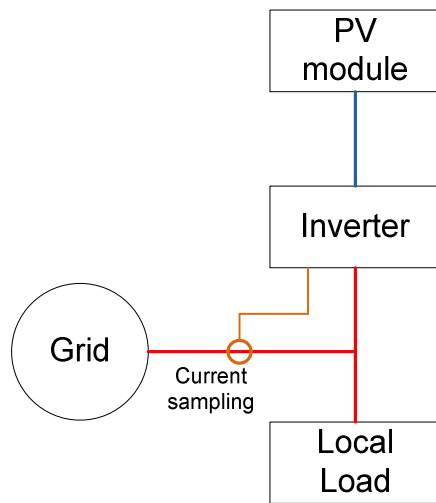
**Date and place**

Ningbo  
2017-12-09

Zhangkun

Zhangkun

### System Connecton Diagram



### CT Fail Safe Test

Method: Set 50% export limit,impieiment the test before start or in running

Criteria: Fall time is less than 5s, the inverter’s output active power is less than set limit.After fail safe test , disconnect AC, the reconnect time daley is fault reconnect time.

No.	Component	Test	Active Power	Response Time	Fall Time	Reconnect time	Pass/Fail
1	Power Monitoring Unit(PMU)	Remove power supply to PMU	NA	NA	NA	NA	NA
		Remove CT	1557W	1.17S	2.80S	44S	pass
2	PMU → CU communication cable	Unplug cable	NA	NA	NA	NA	NA

### Power Limit Test

Method: Set export limit, implement the test before start, then start the inverter.

Criteria: fall time is less than 5s, the inverter’s export active power is less than limit power.

0%export limit [% Inverter Rating]		Input supply [% Inverter Rating]			
Load [% Inverter Rating]	Expot/Time	Input supply [% Inverter Rating]			
		25%	50%	75%	100%
Load [% Inverter Rating]	0%	-135w/1.91S	-50w/2.28S	-45w/2.07S	-50w/2.17S
	25%	NA	+44w/2.69S	-22w/4.06S	+27w/4.34S
	50%	NA	NA	-121w/3.07S	-133w/2.08S
	75%	NA	NA	NA	-61w/3.62S



<b>25%export limit [% Inverter Rating]</b>					
Input		Input supply [% Inverter Rating]			
Load	Expot/Time	25%	50%	75%	100%
Load [% Inverter Rating]	0%	NA	-692w/4.63S	-700w/4.25S	-749w/4.10S
	25%	NA	NA	-805w/3.24S	-808w/3.88S
	50%	NA	NA	NA	-698w/4.17S
	75%	NA	NA	NA	NA

<b>50%export limit [% Inverter Rating]</b>					
Input		Input supply [% Inverter Rating]			
Load	Expot/Time	25%	50%	75%	100%
Load [% Inverter Rating]	0%	NA	NA	-1642w/2.26S	-1514w/3.91S
	25%	NA	NA	NA	-1664w /3.35S
	50%	NA	NA	NA	NA
	75%	NA	NA	NA	NA

<b>75%export limit [% Inverter Rating]</b>					
Input		Input supply [% Inverter Rating]			
Load	Expot/Time	25%	50%	75%	100%
Load [% Inverter Rating]	0%	NA	NA	NA	-2406w/2.56S
	25%	NA	NA	NA	NA
	50%	NA	NA	NA	NA
	75%	NA	NA	NA	NA

### Comments

The test result is based on Solis-mini-3600-4G. All the series of inverters electrical character are the same. So the test result can cover all series.