

Motive Battery

Energy Storage Battery

Reserve Battery

Motorcycle Battery



Motive Battery-Deep Cycle Type-TNE Series

TNE12-230

(12V 230Ah)

GENERAL FEATURES

- ◆ Oxygen recombination technology: Maintenance Free VRLA Battery, no need to add water or acid
- ◆ The patent grid alloy: less gassing, low self-discharge, excellent corrosion resistance performance
- ◆ Special paste formula: additives are added to improve deep discharge, long cycle life
- ◆ High quality AGM separator: extend cycle life and prevent micro short circuit
- ◆ The patent Nano silica gel electrolytes, extend cycle life and improve the deep discharge performance
- ◆ ABS container: increase the strength of battery (Flame-retardant ABSUL94-V0 is optional)



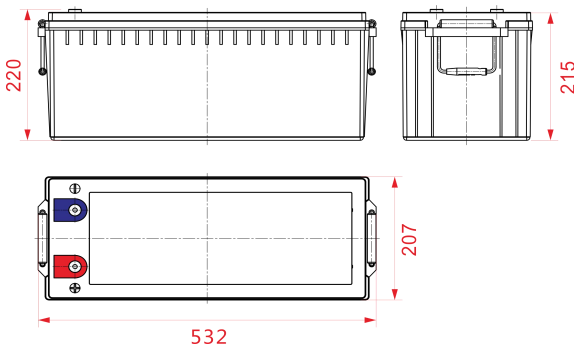
Application

- ◆ Electric tools or toys
- ◆ Electric Bicycle/Tricycle
- ◆ Golf trolleys and golf cart
- ◆ Patrol car
- ◆ Electric Sight-seeing Tour Bus
- ◆ Sweeper
- ◆ Wheelchairs
- ◆ Lawn mowers
- ◆ Illumination light

Dimension

Unit:mm

Length	532±2mm / 20.94inch
Width	207±2mm / 8.15inch
Container Height	215±2mm / 8.46inch
Total Height	220±2mm / 8.66inch



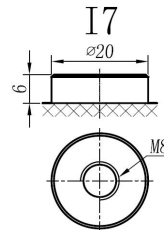
Terminal

Unit:mm

Terminal Type: I7

Weight

58.8kg 134.48lbs



This document is subject to change without prior notification

- Motive Battery
- Energy Storage Battery
- Reserve Battery
- Motorcycle Battery



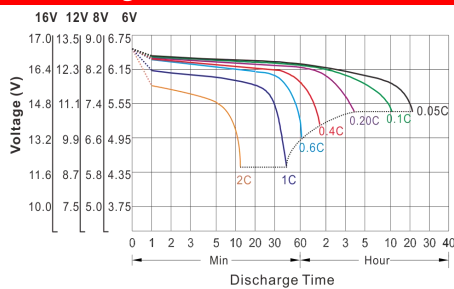
TNE12-230

Specificaion

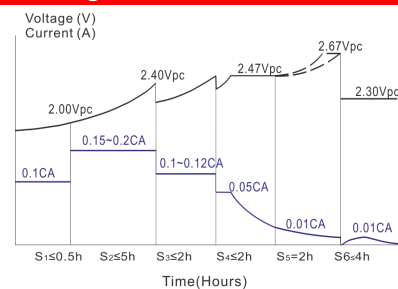
Nominal Voltage	12V	
Nominal Capacity	230Ah	
Rated Capacity	C20(1.80V/cell)	230Ah
Capacity (25°C)	C10(1.80V/cell)	210Ah
	C5(1.75V/cell)	197Ah
Container Material	ABS (Flame-retardant ABSUL94-V0 is optional)	
Operating Temperature Range	Discharge	-20 ~ +50°C
	Charge	0 ~ +40°C
	Storage	-15 ~ +40°C
Capacity Effected by Temperature	40°C / 104°F	106%
	25°C / 77°F	100%
	0°C / 32°F	86%
	-10°C / 14°F	65%
Charge Method	Please refer to the "Charge Characteristics (25°C)" below	
Monthly Self Discharge	<3%, TNE series stored at 25°C require a supplementary charge every six months, the charging interval would shrink when the ambient temperature went higher	

Performance Curve

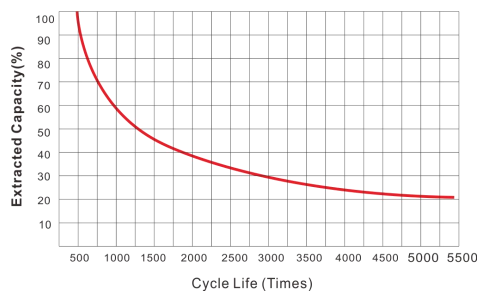
Discharge Characteristics (25°C)



Charge Characteristics (25°C)



Cycle Lives With Depth Of Discharge



Self-Discharge Characteristics

