

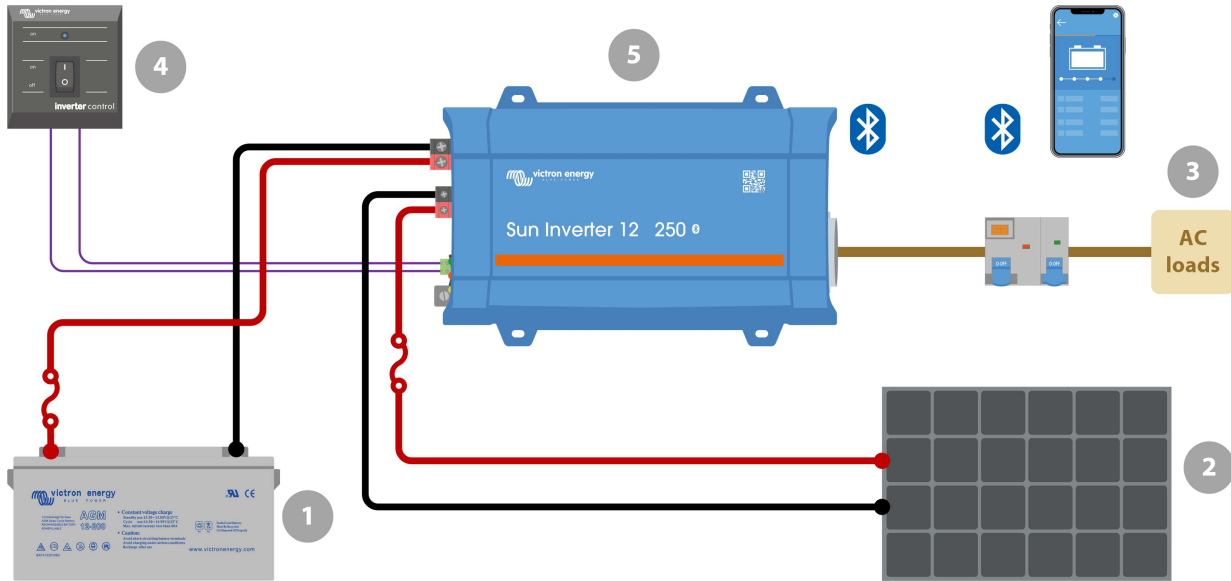
3.2.6. VE.Direct connection

The VE.Direct connection can be used for monitoring of the inverter via a GX device, or to connect to the VictronConnect app.

The following items can be connected:

- A GX device or GlobalLink 520 using a [VE.Direct cable](#).
- A GX device using a [VE.Direct to USB interface](#).
- A computer running the VictronConnect app using the [VE.Direct to USB interface](#).
- A phone or tablet running the VictronConnect app using the [VE.Direct Bluetooth Smart dongle](#).

3.2.7. SUN Inverter system example



ID	Item and notes
1	Battery
2	Solar array consisting of a single or multiple solar panels .
3	AC system.
4	Phoenix Inverter Control VE.Direct for on/off control of the inverter.
5	SUN inverter 12V 250VA
	Bluetooth communication, use with the VictronConnect app for monitoring, configuration and inter-product communication (VE.Smart Networking).
	VictronConnect app to monitor and configure all Bluetooth enabled Victron "Smart" products.
	Positive (red) and negative (black) DC wiring. For more information on wiring see the Wiring Unlimited book .
	AC wiring.
	DC fuse. A wide range of DC fuses and fuse holders are available from Victron Energy. For fuse ratings see the product manuals or the Wiring Unlimited book .
	Circuit breaker (MCB) and residual current device (RCD).