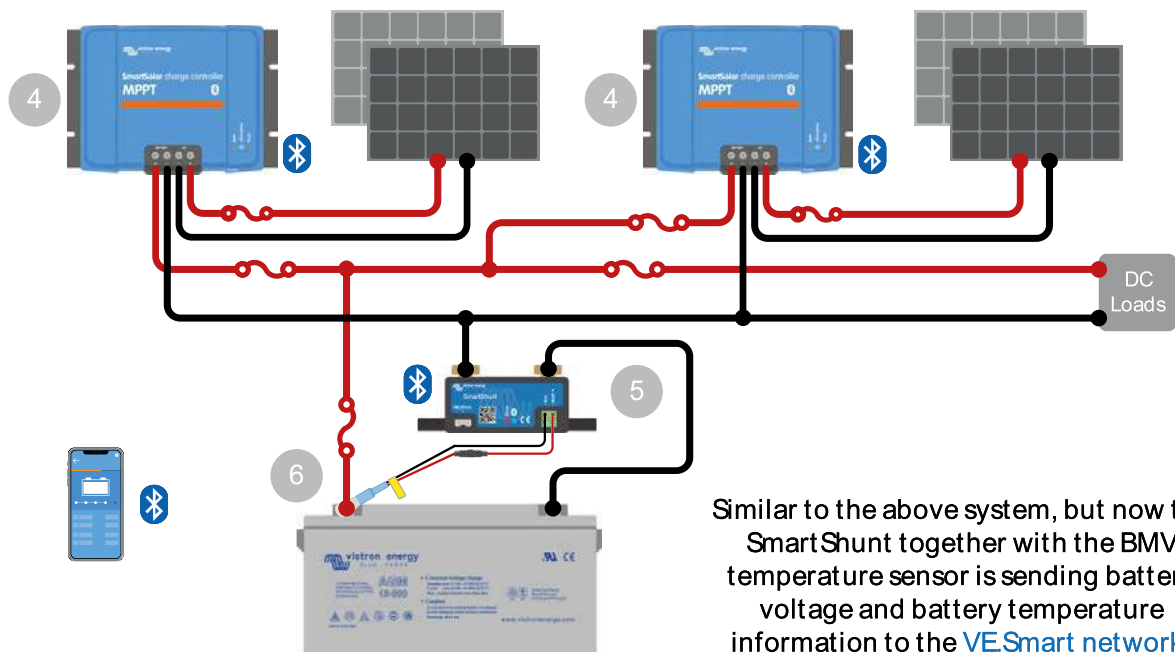


The Smart Battery Sense sends battery temperature and voltage information via Bluetooth and the **VE Smart Network** to the solar charger and the AC charger and is used for temperature and voltage compensated charging.



Similar to the above system, but now the SmartShunt together with the BMV temperature sensor is sending battery voltage and battery temperature information to the **VE Smart network**.

ID	Items and notes
1	12, 24 or 48V Battery charger.
2	Solar charger with load output, available in 10, 15 or 20A models, for 12, 24 or 48V, with or without Bluetooth.
3	Smart Battery Sense, a wireless battery voltage and temperature sensor.
4	Solar charger, available up to 100A, for 12, 24 or 48V, with or without Bluetooth.
5	SmartShunt battery monitor, available in 500, 100 or 2000A model.
6	Temperature sensor for BMV-712 Smart and BMV-702.
	AC cable and AC circuit breaker (CB or MCB) and AC earth fault detector (RCD, RCB or GFC).
	Solar panel or solar array.
	12, 24 or 48V battery or battery bank consisting of multiple batteries in series, parallel or series/parallel.
	Small DC fuse, included with the product.
	DC fuse.
	Positive (red) and negative (black) DC cables. For the correct cable sizing see the Wiring Unlimited book .